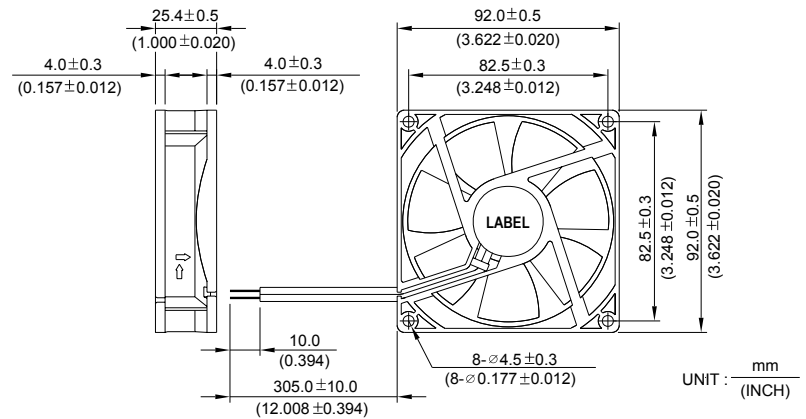


AFB 92 x 92 x 25.4 MM SERIES

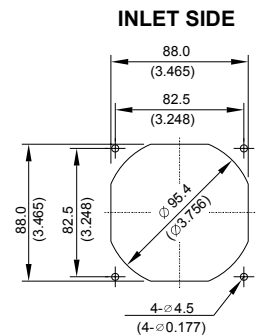
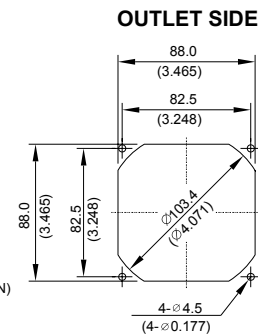
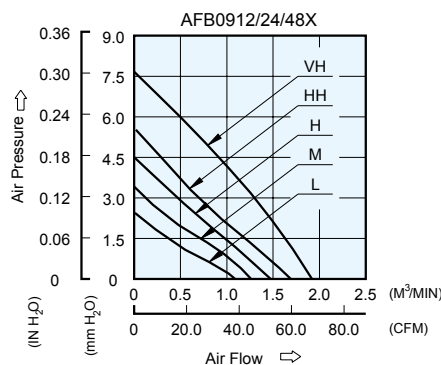
DIMENSIONS DRAWING



- * Bearing Type
Ball Bearings
- * Material
Impeller & Frame : Plastic (UL 94V-0)
- * Lead Wires :
UL 1007 AWG #24 OR Equivalent
Red Wire Positive (+)
Black Wire Negative (-)
- * Weight : 99g (3.49 oz)

P & Q CURVE (AT RATED VOLTAGE)

MOUNTING PANEL CUTOUT

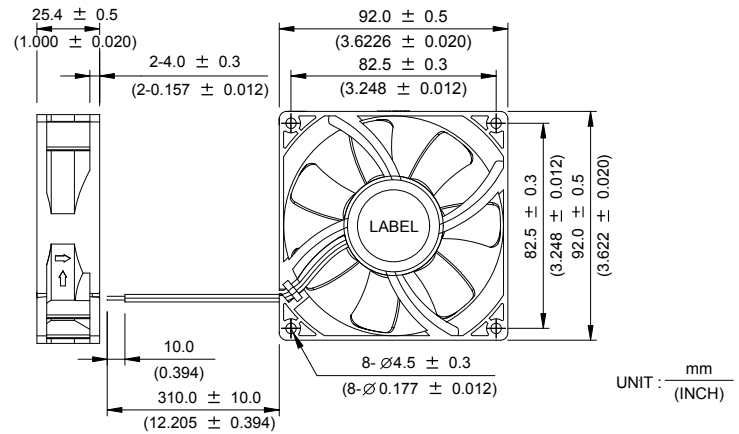
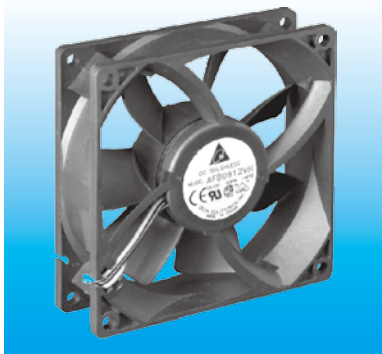


| MODEL | | Rated Voltage | Operating Voltage Range | Input Current | Input Power | Speed | Maximum Air Flow | | Maximum Air Pressure | | Noise |
|-----------|-------------|---------------|-------------------------|---------------|-------------|--------|---------------------|-------|----------------------|---------------------|-------|
| PART NO. | FUNCTION | VDC | VDC | Amp | Watt | R.P.M. | m ³ /min | CFM | mmH ₂ O | IN H ₂ O | dB-A |
| AFB0912L | -R00 / -F00 | 12 | 7.0 to 13.8 | 0.07 | 0.84 | 2100 | 1.050 | 37.08 | 2.53 | 0.100 | 25.0 |
| AFB0924L | -R00 / -F00 | 24 | 14.0 to 27.6 | 0.06 | 1.44 | | | | | | |
| AFB0948L | -R00 / -F00 | 48 | 28.0 to 56.0 | 0.05 | 2.40 | | | | | | |
| AFB0912M | -R00 / -F00 | 12 | 7.0 to 13.8 | 0.11 | 1.32 | 2450 | 1.240 | 43.79 | 3.25 | 0.130 | 30.0 |
| AFB0924M | -R00 / -F00 | 24 | 14.0 to 27.6 | 0.08 | 1.92 | | | | | | |
| AFB0948M | -R00 / -F00 | 48 | 28.0 to 56.0 | 0.05 | 2.40 | | | | | | |
| AFB0912H | -R00 / -F00 | 12 | 7.0 to 13.8 | 0.16 | 1.92 | 2850 | 1.450 | 51.21 | 4.50 | 0.177 | 34.0 |
| AFB0924H | -R00 / -F00 | 24 | 14.0 to 27.6 | 0.10 | 2.40 | | | | | | |
| AFB0948H | -R00 / -F00 | 48 | 28.0 to 56.0 | 0.06 | 2.88 | | | | | | |
| AFB0912HH | -R00 / -F00 | 12 | 7.0 to 13.8 | 0.25 | 3.00 | 3200 | 1.640 | 57.92 | 5.62 | 0.221 | 38.0 |
| AFB0924HH | -R00 / -F00 | 24 | 14.0 to 27.6 | 0.13 | 3.12 | | | | | | |
| AFB0948HH | -R00 / -F00 | 48 | 28.0 to 56.0 | 0.08 | 3.84 | | | | | | |
| AFB0912VH | -R00 / -F00 | 12 | 7.0 to 13.8 | 0.40 | 4.80 | 3800 | 1.920 | 67.80 | 7.67 | 0.302 | 45.0 |
| AFB0924VH | -R00 / -F00 | 24 | 14.0 to 27.6 | 0.22 | 5.28 | | | | | | |

* Function type is optional.
 * The max. air flow and the speed are measured in free air ; max. air pressure is measured at zero air flow.
 * Noise is measured in anechoic chamber in free air, one meter from intake side.
 * All readings are typical values at rated voltage.
 * Specifications are subject to change without notice.

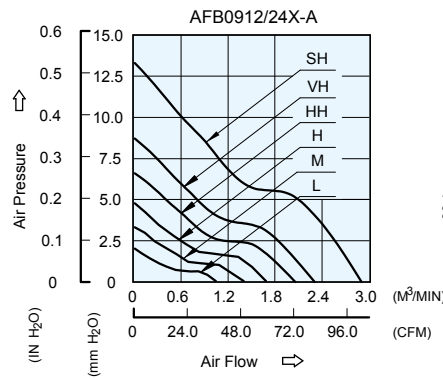
AFB 92 x 92 x 25.4 MM SERIES

■ DIMENSIONS DRAWING

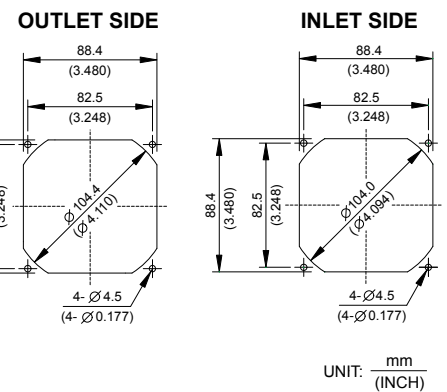


- * Bearing Type
Ball Bearings
- * Material
Impeller & Frame : Plastic (UL 94V-0)
- * Lead Wires :
UL 1007 AWG #24 OR Equivalent
Red Wire Positive (+)
Black Wire Negative (-)
- * Weight : 120g (4.23 oz)

■ P & Q CURVE (AT RATED VOLTAGE)



■ MOUNTING PANEL CUTOUT



| MODEL | | | Rated Voltage | Operating Voltage Range | Input Current | Input Power | Speed | Maximum Air Flow | | Maximum Air Pressure | | Noise |
|-----------|------|-----------|---------------|-------------------------|---------------|-------------|--------|---------------------|--------|----------------------|---------------------|-------|
| PART NO. | REV. | FUNCTION | VDC | VDC | Amp | Watt | R.P.M. | m ³ /min | CFM | mmH ₂ O | IN H ₂ O | dB-A |
| AFB0912L | -A | -R00/-F00 | 12 | 5.0 to 13.8 | 0.10 | 1.20 | 1800 | 1.055 | 37.25 | 2.05 | 0.080 | 25.0 |
| AFB0924L | -A | -R00/-F00 | 24 | 14.0 to 26.4 | 0.08 | 1.92 | | | | | | |
| AFB0912M | -A | -R00/-F00 | 12 | 5.0 to 13.8 | 0.12 | 1.44 | 2300 | 1.402 | 49.51 | 3.38 | 0.133 | 31.5 |
| AFB0924M | -A | -R00/-F00 | 24 | 14.0 to 26.4 | 0.10 | 2.40 | | | | | | |
| AFB0912H | -A | -R00/-F00 | 12 | 5.0 to 13.8 | 0.21 | 2.52 | 2800 | 1.696 | 59.89 | 4.86 | 0.191 | 37.0 |
| AFB0924H | -A | -R00/-F00 | 24 | 14.0 to 26.4 | 0.12 | 2.88 | | | | | | |
| AFB0912HH | -A | -R00/-F00 | 12 | 5.0 to 13.8 | 0.32 | 3.84 | 3300 | 2.060 | 72.74 | 6.65 | 0.262 | 42.5 |
| AFB0924HH | -A | -R00/-F00 | 24 | 14.0 to 26.4 | 0.18 | 4.32 | | | | | | |
| AFB0912VH | -A | -R00/-F00 | 12 | 5.0 to 12.6 | 0.40 | 4.80 | 3800 | 2.307 | 81.47 | 8.76 | 0.345 | 46.0 |
| AFB0924VH | -A | -R00/-F00 | 24 | 14.0 to 26.4 | 0.25 | 6.00 | | | | | | |
| AFB0912SH | -A | -R00/-F00 | 12 | 5.0 to 12.6 | 0.75 | 9.00 | 4800 | 2.905 | 102.59 | 13.35 | 0.526 | 53.0 |
| AFB0924SH | -A | -R00/-F00 | 24 | 14.0 to 26.4 | 0.40 | 9.60 | | | | | | |

* Function type is optional.
 * The max. air flow and the speed are measured in free air ; max. air pressure is measured at zero air flow.
 * Noise is measured in anechoic chamber in free air, one meter from intake side.
 * All readings are typical values at rated voltage.
 * Specifications are subject to change without notice.